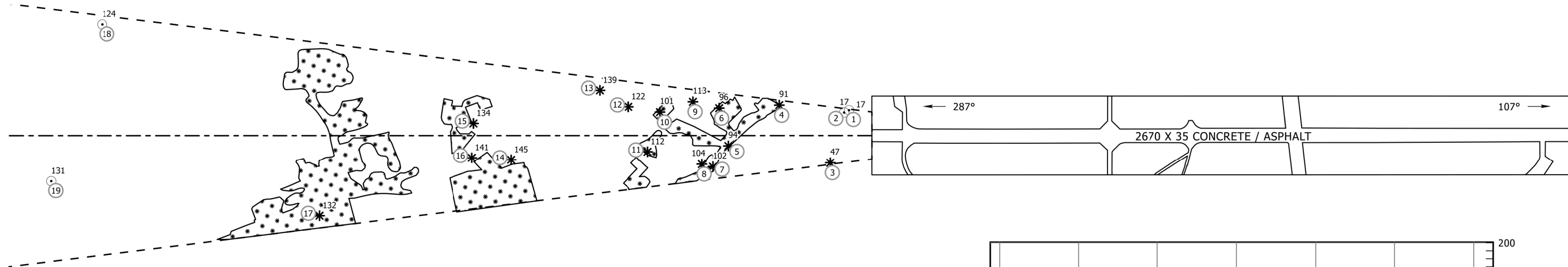
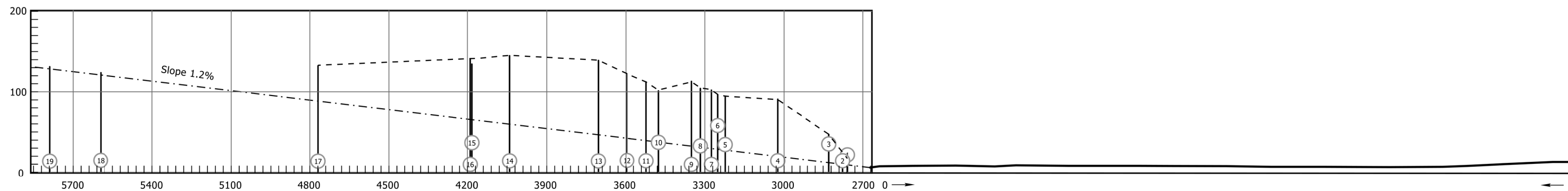


AERODROME OBSTACLE CHART
TYPE A (OPERATING LIMITATIONS)

KOKSIJDE (EBFN)

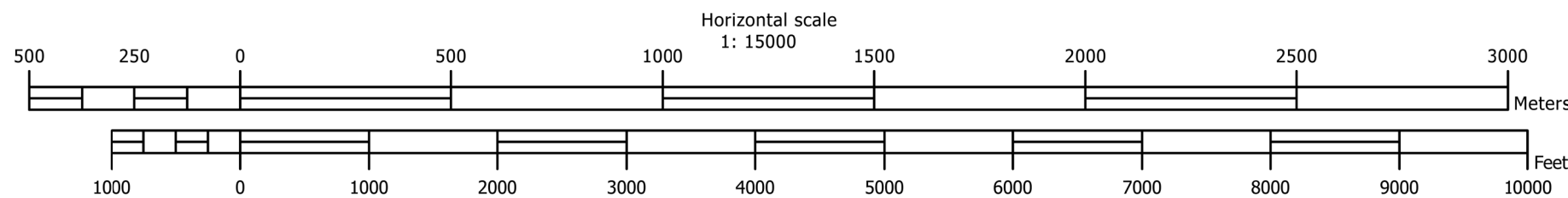
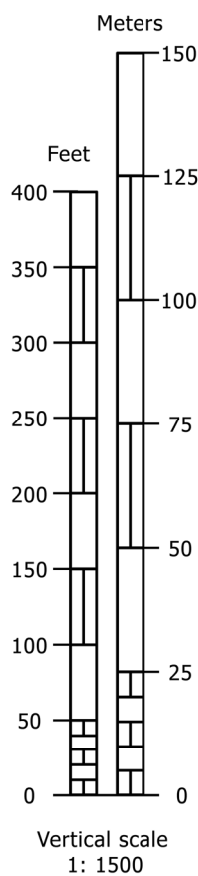
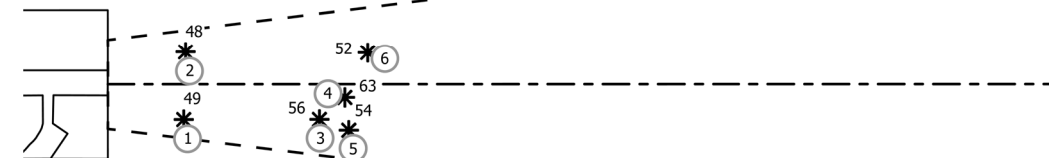
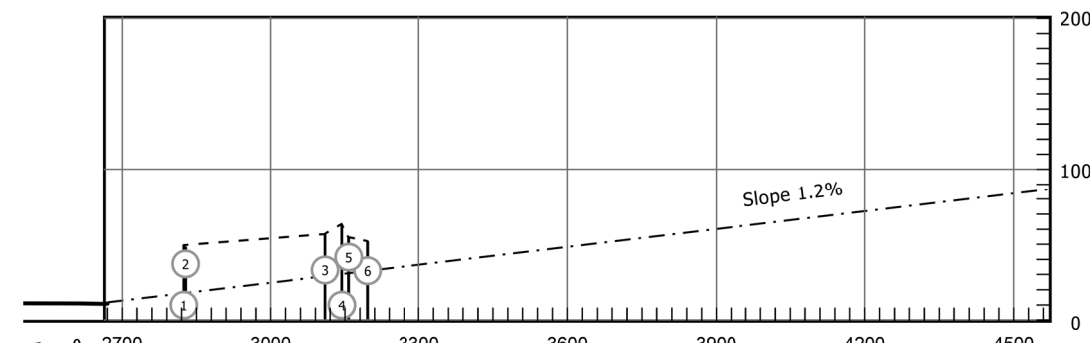


RWY 11/29

DECLARED DISTANCES		
RWY 11		RWY 29
2670	TAKE-OFF RUN AVAILABLE	2670
2670	TAKE-OFF DISTANCE AVAILABLE	2670
2670	ACCELERATE STOP DISTANCE AVAILABLE	2670
2571	LANDING DISTANCE AVAILABLE	2574

BEARINGS ARE MAGNETIC
MAGNETIC VARIATION 1°03'E 1 MAY 2020
ANNUAL CHANGE 11'E
DIMENSIONS IN METERS
ELEVATIONS IN FEET
VERTICAL DATUM EGM2008

LEGEND	
Building or large structure	■
Identification number	⑥
Pole, antenna, chimney, tower	⊙
Tree or shrub	*
Obstacle area penetrating obstacle plane	- - - - -



ORDER OF ACCURACY
HORIZONTAL 1 M
VERTICAL 3 FT

CHANGE: MAGVAR